

**COLOR
TELEVISION**

**GLCD3201
GLCD4001**



GRUNDIG

**GRUNDIG HELPLINE: 1800 509 394 Australia
GRUNDIG HELPLINE: 0800 450 259 New Zealand**

HDMI™

This TV incorporates High-Definition Multimedia Interface (HDMI™) technology. HDMI, the HDMI logo and High-Definition Multimedia Interface are trademarks or registered trademarks of HDMI Licensing LLC.



DISPOSAL OF WASTE ELECTRONIC EQUIPMENT BY PRIVATE HOUSEHOLDS WITHIN THE EUROPEAN UNION

This sign indicates that this product may not be disposed of with your regular household waste. The recycling and separate collection of such products is your responsibility. Please drop off the above-mentioned waste at a designated place for recycling waste electrical and electronic equipment. If you do not know where to drop off your waste equipment for recycling, please contact your local city office or household waste collection service.

Warnings and Precautions

To prevent any injuries, the following safety precautions should be observed in the installation, use, servicing and maintenance of this equipment.

Before operating this equipment, please read this manual completely, and keep it nearby for future reference.



This symbol is intended to alert the user to avoid the risk of electric shock. This equipment must not be disassembled by anyone except qualified service personnel.



This symbol is intended to alert the user to the presence of important operating and maintenance instructions in the literature accompanying the appliance.



To reduce the risk of fire or electric shock, do not expose this equipment to rain or moisture.

- TO REDUCE THE RISK OF ELECTRIC SHOCK,
- DO NOT REMOVE COVER (OR BACK).
- NO USER-SERVICEABLE PARTS INSIDE.
- REFER SERVICING TO QUALIFIED SERVICE PERSONNEL.



Use of controls, adjustments or performance of procedures other than those specified herein may result in hazardous radiation exposure.

Important Safety Instructions



This symbol indicates caution points.



This symbol indicates actions that should not be done.



This symbol indicates actions that must be performed.



- Do not place the equipment on any uneven or unstable carts, stands, tables, shelves etc. The equipment may fall, causing serious injury to children or adults and serious damage to the equipment itself.



- Use only a cart or stand recommended by the manufacturer. This equipment and recommended cart or stand should be handled with care. Quick stops, excessive force, and uneven surfaces may cause the equipment and cart/stand to overturn.



- Do not disable the 3-wire grounding type plug. The grounding pin on the 3-prong plug is an important feature. Removing the grounding pin will increase the risk of damaging the equipment.
- If you can not fit the plug into the electrical outlet, contact an electrician to install a grounding outlet.
- Always operate this equipment from the type of power source indicated on the rear of the serial/model information label.
- Never overload wall outlets and extensions.



- Use and handle the power cord with care. Do not place any heavy objects on the AC power cord.
- Do not pull the AC power cord. Do not handle the AC power cord with a wet hand.
- Do not touch the power cord and antenna cable during lightning.
- Remove the plug from the wall outlet, if the equipment will not be used for a long period of time.
- Do not place, use or handle this equipment near water.
- Never expose the equipment to liquid, rain, or moisture. Seek for service if any of the above is spilled into the equipment.
- Do not expose the equipment to extreme temperature or to direct sunlight, as the equipment may heat up and suffer damage.
- Do not install the equipment near any heat sources such as radiators, heat registers, stoves, or any other apparatus that might produce heat.
- Do not attempt to service the equipment yourself.
- Opening and removing the covers may expose you to dangerous voltage or other hazards and may void your warranty. Refer service to qualified personnel.
- Do not place or drop any other objects on top.
- Do not insert anything into the ventilation holes of your equipment. Inserting any metal or flammable objects may result to fire or electric shock.
- Do not place the equipment on uneven or unstable carts, stands, tables, shelves etc. The equipment may fall, causing serious injury to children or adults and serious damage to the equipment itself. Always place the equipment on the floor or on a surface that is sturdy, level, stable and strong enough to support the weight of the equipment.
- Do not block any ventilating openings. Leave an open space around the equipment. Never place the equipment :
on a bed, sofa, rug, or any other similar surfaces; too close to drapes/curtains/walls, in a bookcase, built-in cabinet, or any other similar places that may cause poor ventilation.
- Unplug this apparatus during lightning storms or when unused for long periods of time.
- Refer all servicing to qualified service personnel. Servicing is required when the apparatus has been damaged in any way, such as power-supply cord or plug is damaged, liquid has been spilled or objects have fallen into the apparatus, the apparatus has been exposed to rain or moisture, does not operate normally, or has been dropped.



- Always remove the power cord from the outlet before cleaning the equipment.
- Never use liquid or aerosol cleaners on the equipment. Clean only with a soft dry cloth.



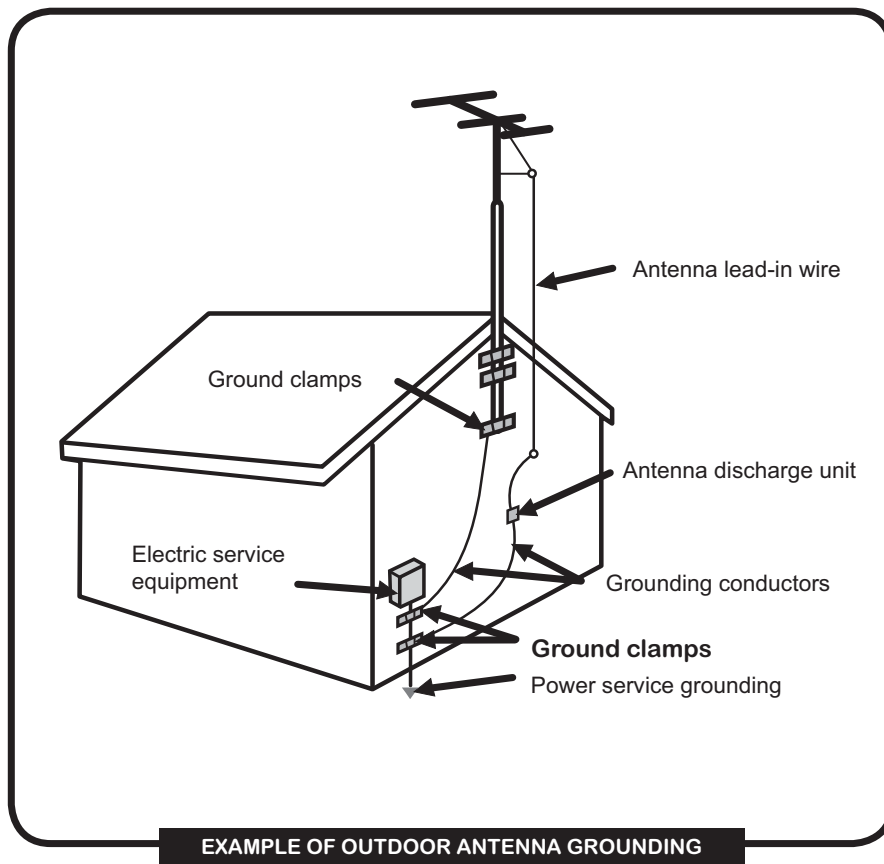
- Only use attachments/accessories specified by the manufacturer.

Antenna Safety Instructions

If an outdoor antenna is connected, follow the precautions below:



- An outdoor antenna should not be located in any area where it could come in contact with overhead power lines, or any other electric light or power circuits.
- When installing an outdoor antenna system, extreme caution should be taken to prevent contact with power lines. Direct contact with power lines may be fatal and should be avoided at all costs.



CONTENTS

■ Warnings and Precautions

Important Safety Instructions	1
Antenna Safety Instructions.....	3

■ Chapter 1 Introducing the LCD TV

Key Features	5
Package Contents	6
Setting Your LCD TV.....	7
Your LCD TV.....	11
Your Remote Control	13

■ Chapter 2 Installing the LCD TV

Connecting a TV Cable or an Antenna	15
Connecting a VCR.....	20
Connecting a Video Camera or Game Console	21
Connecting a DVD Player.....	22
Connecting a digital TV Cable Box or Digital Satellite Receiver.....	24
Connecting an AV Equipment with HDMI Connector.....	25
Connecting an AV Equipment with DVI Connector	26
Connecting a PC.....	27
Connecting an Audio Receiver	28

■ Chapter 3 USING THE FEATURES

Using Picture-In-Picture.....	29
Wide Screen Viewing	31
Using Teletext Functions	32
Operating the Menu.....	33
Customizing the VIDEO Settings	35
Customizing the AUDIO Settings	37
Customizing the SETUP Settings.....	38
Using the Parental Settings.....	39
Customizing the TV Settings	40

■ Troubleshooting.....	42
------------------------	----

■ Display Modes.....	43
----------------------	----

■ Specifications	44
------------------------	----

Chapter 1

Introducing the LCD TV

Key Features

Various Audio/Video terminals for external equipment connection

- 2 set of composite A/V input terminals
- 1 set of component Video input terminals
- 1 VGA/ Audio input terminal
- 2 HDMI/Auido input terminals
- 1 sets of Audio(L/R) output terminals
- 1 Headphone terminal

High Definition Multimedia Interface (HDMI)

- High Definition Multimedia Interface (HDMI) is a small, user-friendly interconnect that can carry up to 5 Gbps of combined video and audio in a single cable. This system eliminates the cost, complexity and confusion of multiple cables used to connect current A/V systems.

HDTV Component Video Inputs

- Offers the best video quality for DVD(480p) and digital set-top-box (HD1080i, 720p) connections.

3D Digital Noise Reduction

- This function can digitally reduce image noise to provide better picture quality.

Film-Mode Detection (3:2 Reverse Pull Down)

- This function can automatically detect content derived from film and adjust the interlacer's frame matching to provide a more natural-looking, clearer image of the moving picture.

PIP Function

- The PIP/POP feature allows simultaneous viewing of video from two sources (TV, VCR, DVD etc). Only one source's audio is played at a time; the user may select which source's audio is heard.

Package Contents

Make sure all of the following contents are included.

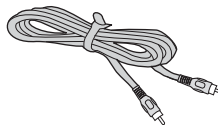
- LCD TV



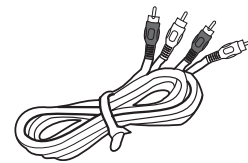
- Remote Control/
AAA Batteries x 2



- VIDEO Cable



- AUDIO Cable



- Power Cord



The power cord type may be different depending on your country's power type.

- User Guide

These items are all you need to set up and operate the LCD TV in its basic configuration.



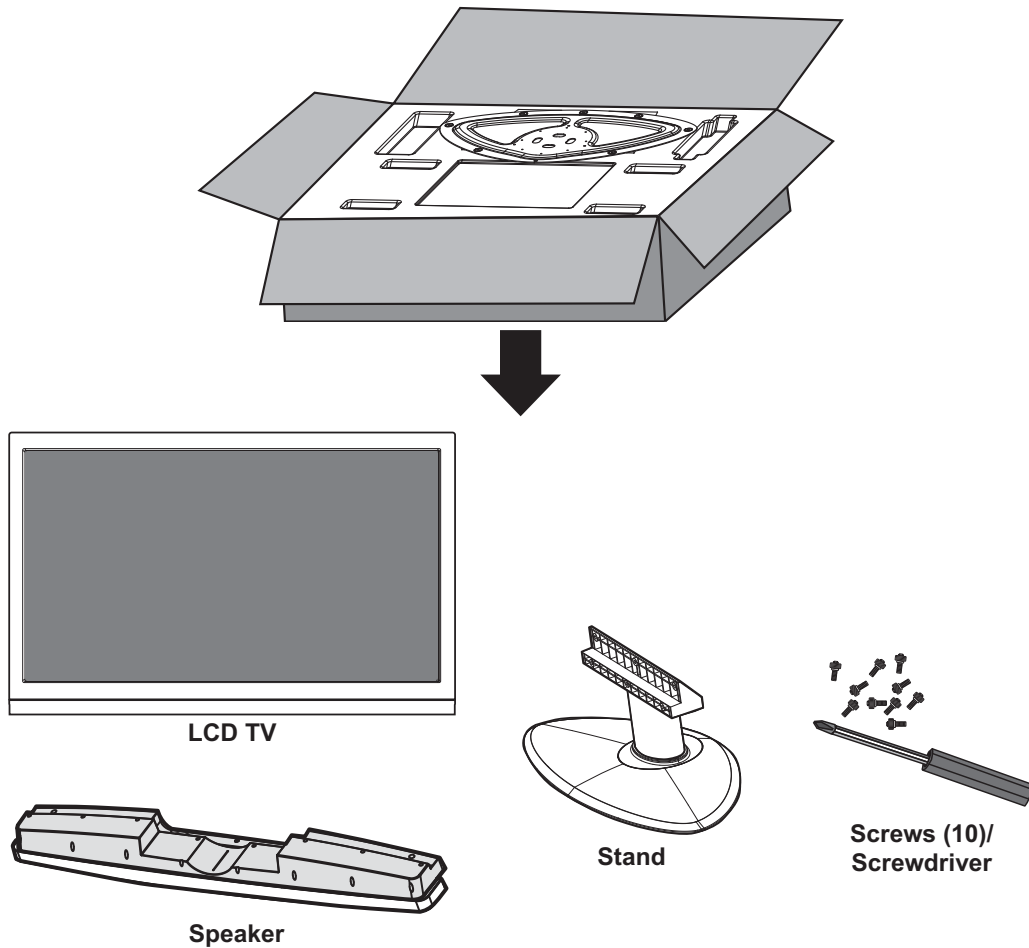
Make sure all of the following contents are included. If you are missing any items, please return this product to the original place of purchase.

Setting Up Your LCD TV

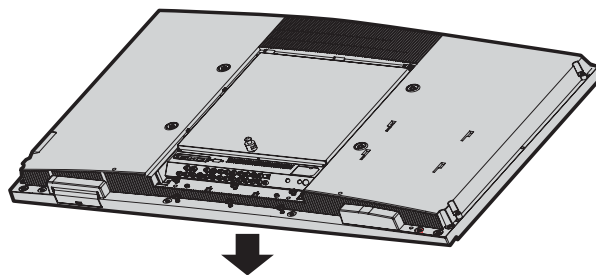
How to install the TV Stand

Follow the instructions below to install the TV stand:

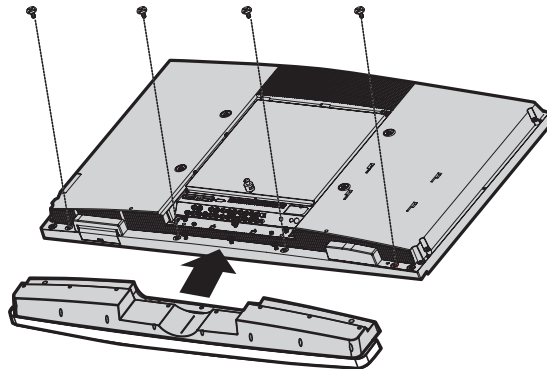
- 1** Open the box, and make sure all necessary parts are in the box.
The package contains:



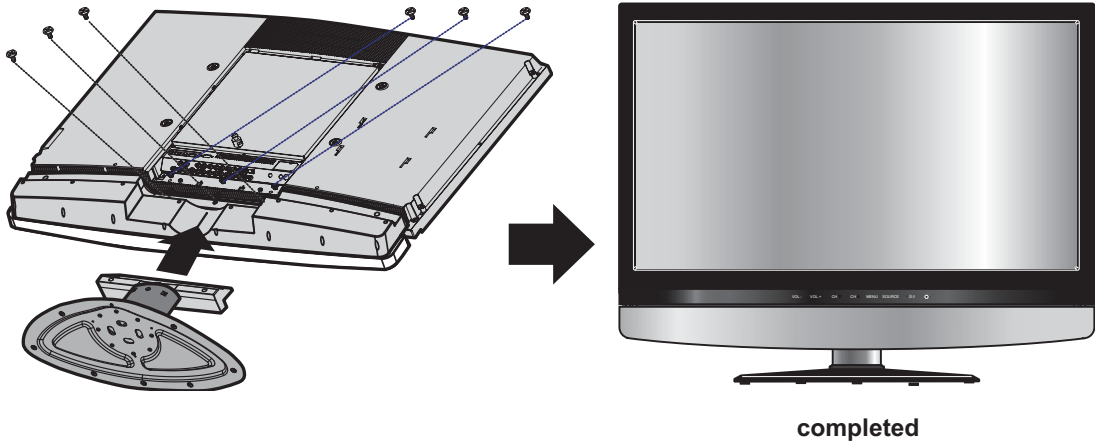
- 2** Cover an even stable surface with a soft cloth. Place the LCD TV unit face-down on the cloth.



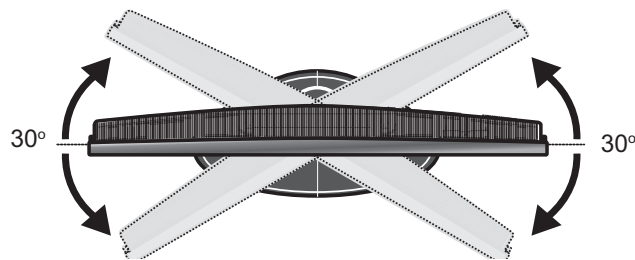
- 3** Fit the TV stand onto the back of the TV unit as shown below. Use the screwdriver to tighten the four screws on the rear of the speaker until the screw is firmly fixed in place.



- 4** Hold the TV stand and place it on the six screw holes on the back of the unit as shown. Use the screwdriver to tighten the six screws on the rear of the speaker until the screw is firmly fixed in place.



- 5** Adjust the stand to your desired angle. The stand angle can be rotated 30° to the right and left.



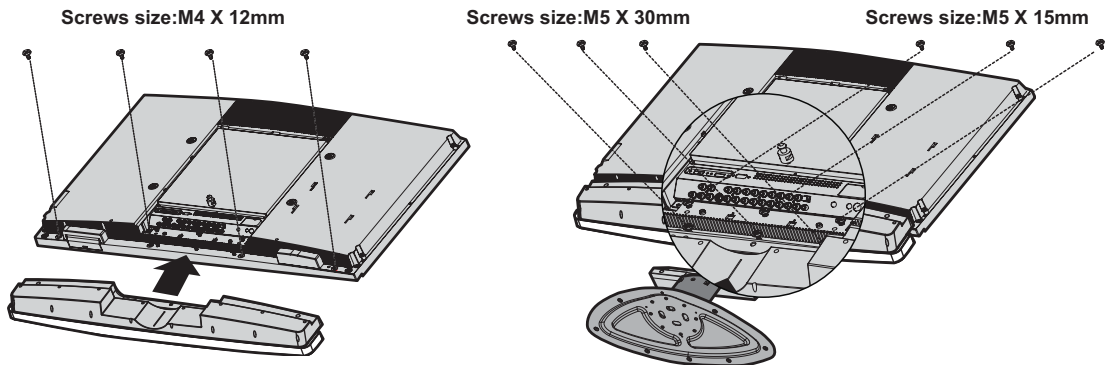
The left and right sides on the rear of TV have an output jack to used in the outside speakers.

If you prefer to mount your LCD TV on a wall instead of attaching it to the stand, please reference the instructions included in the wall mounting kit (not included).

GLCD3201

Please note there are different sizes of fixing screws for fixing the speaker and stand:

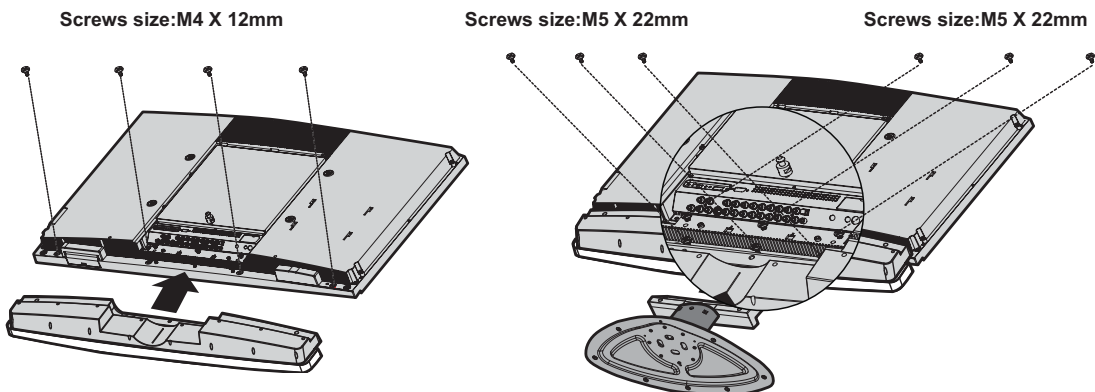
- * First secure the speaker pod to the TV using supplied four M4 X 12mm screws
- * Next secure the base to the TV using the supplied 6 screws. Note that the M5 X 15mm length screws are used at the top of the stand and the M5 X 30mm length screws are used at the bottom of the stand.



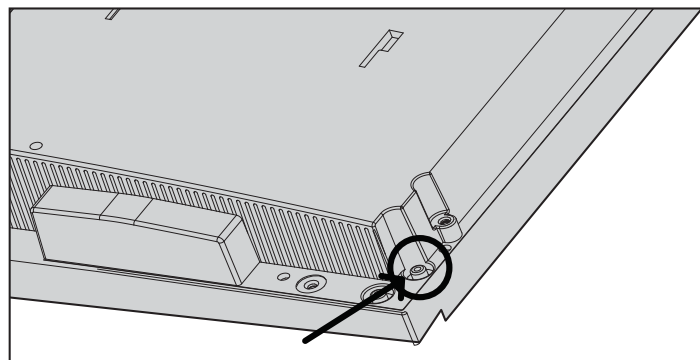
GLCD3701/GLCD4001

Please note there are different sizes of fixing screws for fixing the speakers and stands:

- * First secure the speaker pod to the TV using supplied four M4 X 12mm screws
- * Next secure the base to the TV using the supplied 6 M5 X 22mm screws.



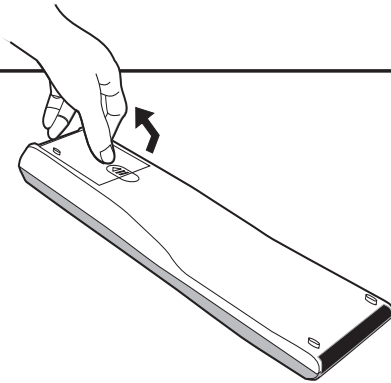
The RCA sockets on the left & right sides of the rear of TV are used for connecting the external speakers



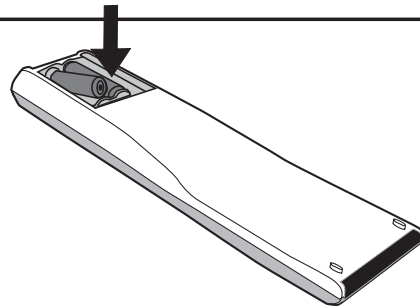
How to setup the TV

- 1 Use a supplied antenna cable to connect the VHF/UHF signal to the LCD TV's ANT. terminal (refer to page 17).
- 2 Connect the AC power cord at the back of the TV and connect the power cord to wall outlet.
- 3 Insert the 2 batteries supplied in remote control.

Step1 Slide the back cover up to open the battery compartment of the remote control.



Step2 Insert two AAA size batteries. Make sure to match the (+) and (-) ends of the batteries with the (+) and (-) ends indicated in the battery compartment. Slide the cover back into place.



Do not use caustic cleaners (porcelain, stainless steel, toilet, or oven cleaner etc.) on the remote, as it may suffer damage.

- 4 Connect other an external A/V device (refer to page 19-27).

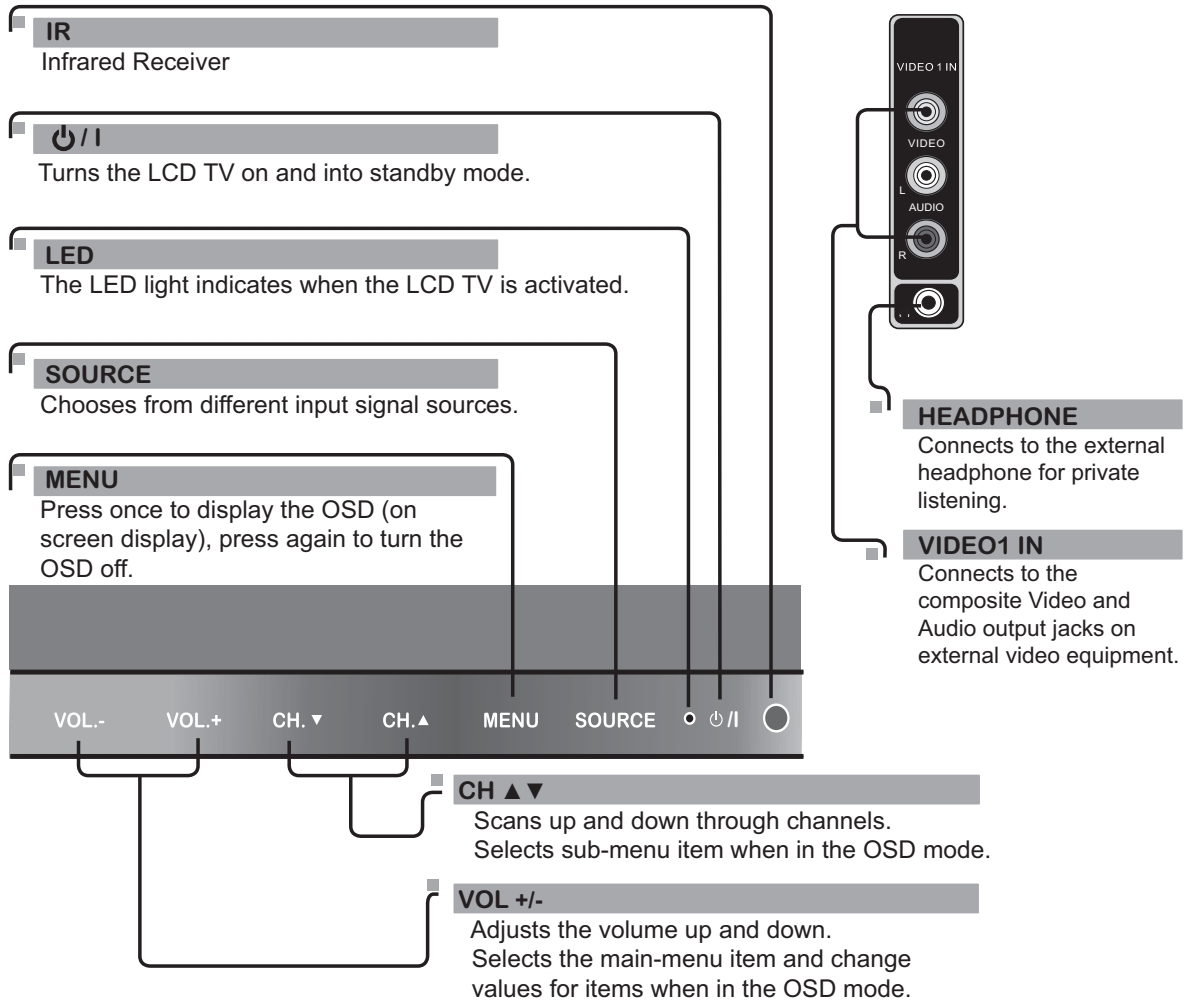
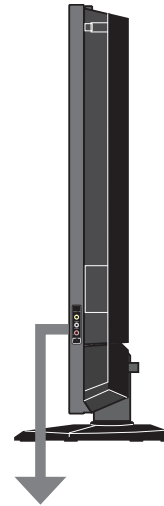
Your LCD TV

Front/Right Side View and Controls

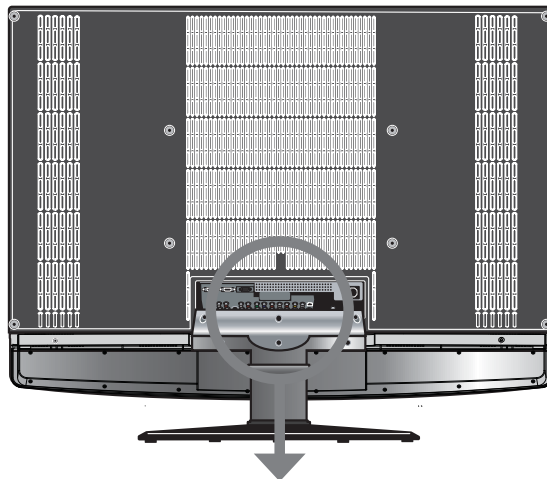
Front View



Right Side View



Rear View and Jacks



VIDEO2 IN

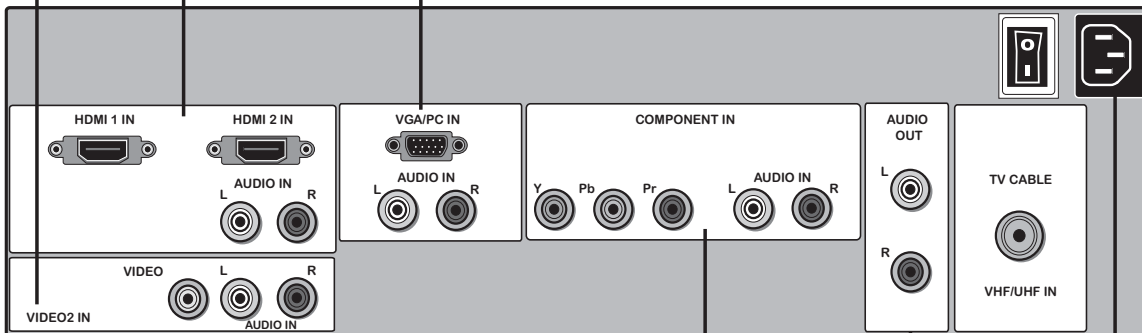
Connects to the composite VIDEO and AUDIO(L/R) output jacks on external video equipment.

HDMI 1/HDMI 2 IN

Connects the all digital AV equipment with HDMI connector.HDMI supports enhanced, high-definition video and two-channel digital audio. The AUDIO(L/R) of HDMI IN is for DVI connection.

VGA IN

Connects the PC, or other AV equipment with VGA and AUDIO(L/R) output jacks.



COMPONENT IN

Connects to the DVD player, Digital Set-Top-Box, or other AV equipment with component(YPbPr) video and audio output jacks.

AUDIO OUT

Connects to the AUDIO(L/R) input jacks on AV equipment.

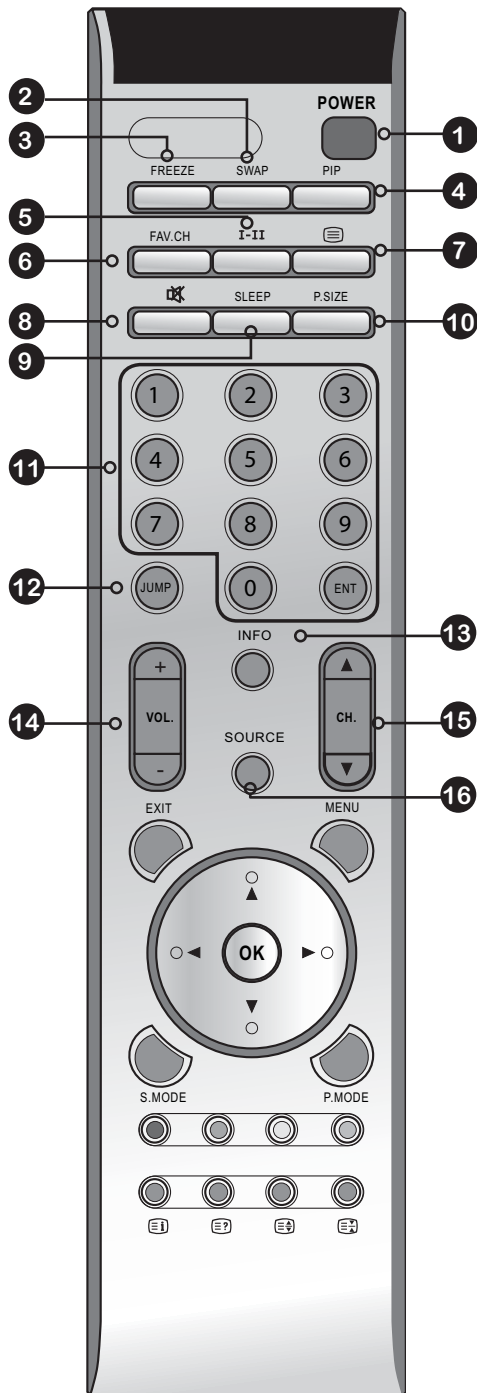
TV CABLE

Connects RF input from VHF/UHF antenna or cable.

POWER SWITCH / AC IN

Main power switch.
Connects to the AC power cord.

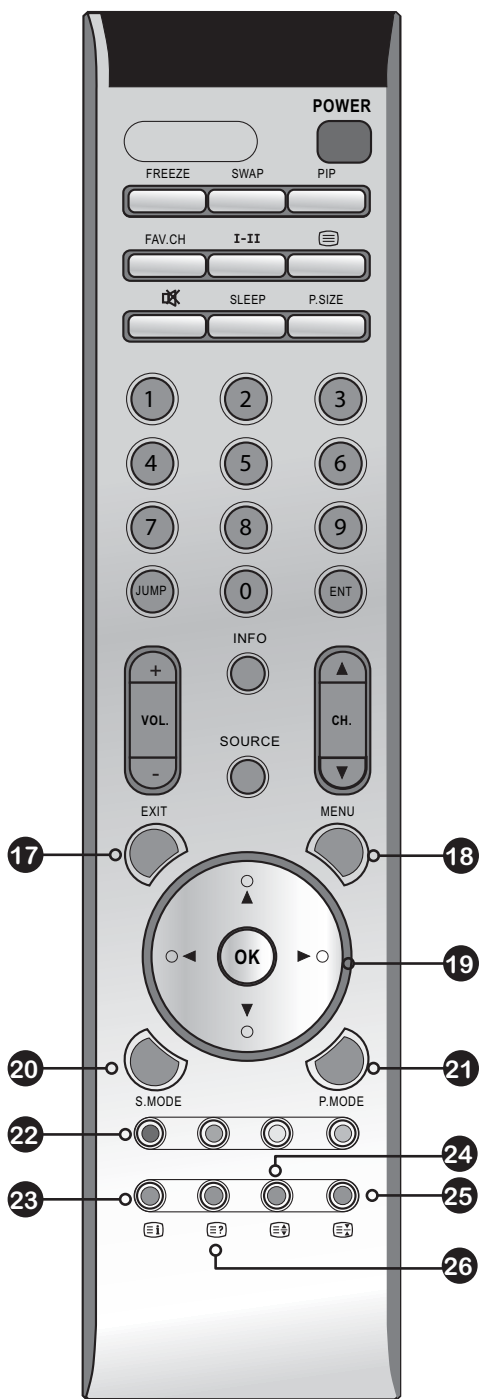
Your Remote Control



- 1 POWER** Turns the LCD TV on and off.
- 2 SWAP** Swaps between the main and sub window in PIP/POP mode.
- 3 FREEZE** Pressing **FREEZE** to freeze the current picture, press again to restore the picture.
- 4 PIP** Turns PIP/POP on and off.
- 5 I-II** Cycles through the TV sound options (NICAM) : MONO/DUAL/STEREO
- 6 FAV.CH** Pressing **FAV.CH** displays favorite channels.
- 7** Turns on and off the Teletext function.
- 8** Mutes and restores the audio
- 9 SLEEP** Cycles through the LCD TV sleep timer: OFF/30/60/90/120 mins
- 10 P.SIZE** Cycles through Widescreen mode settings :NORMAL /FULL/WIDE/ZOOM/ AUTO
- 11 0-9/ENT** Pressing a number selects a channel. Following selection, pressing **ENT** activates the channel, or channel activates automatically in 3 seconds.
- 12 JUMP** Returns to previously selected channel.
- 13 INFO** Pressing once displays a variety of information such as the current channel and the input source.
- 14 VOL.+/-** Increases and decreases volume.
- 15 CH.▲▼** Scans up and down the channels.
- 16 SOURCE** Pressing **SOURCE** displays the source list, use ▲▼ to select the video equipment connected to the video inputs of your LCD TV : TV/VIDEO1/VIDEO2/ VIDEO3/VIDEO4/VIDEO5/COMPUTER



“Not all region supports Teletext-please check with your program service provider”



- 17 **EXIT** Exits the OSD menu.

- 18 **MENU** Displays the OSD menu on the screen.

- 19 **▲▼▶◀**
OK Cycles through OSD options and selects individual menu items. OK confirms option settings.

- 20 **S.MODE** Selects sound effect options: Surround/Live/Dance/Techno/Classic/Soft/Rock/Pop/Off.

- 21 **P.MODE** Selects picture mode: Vivid/Standard/Cinema/Sport/User

- 22 Accesses the TELETEXT items or corresponding pages.

- 23 Displays the main index in TELETEXT mode.

- 24 Displays the top, bottom or all of page, to easily read in TELETEXT mode.

- 25 Freezes a multi-page passage on screen in TELETEXT mode.

- 26 Reveals hidden information such as the answer to a quiz in TELETEXT mode.

Effective range:
The remote can control the LCD TV from up to 5m away, if pointed directly at the receiver.

Chapter 2

Installing the LCD TV

Refer to the owner's manual of any external equipment to be connected.

When connecting any external equipment, do not connect any AC power cords to wall outlets until all other connections are completed.

Connecting a TV Cable or an Antenna

Antenna Connection

The antenna requirements for good color TV reception are more important than those for a black & white TV reception. For this reason, a good quality outdoor antenna is strongly recommended.

The following is a brief explanation of the type of connection that is provided with the various antenna systems.

- A 75-ohm system is generally a round cable (not included) with IEC-type connector that can easily be attached to a terminal without tools.

IEC-type connector



75-ohm coaxial cable (round)

- A 300-ohm system is a flat twin-lead cable (not included) that can be attached to a 75-ohm terminal through a 300-75-ohm adapter (not included).



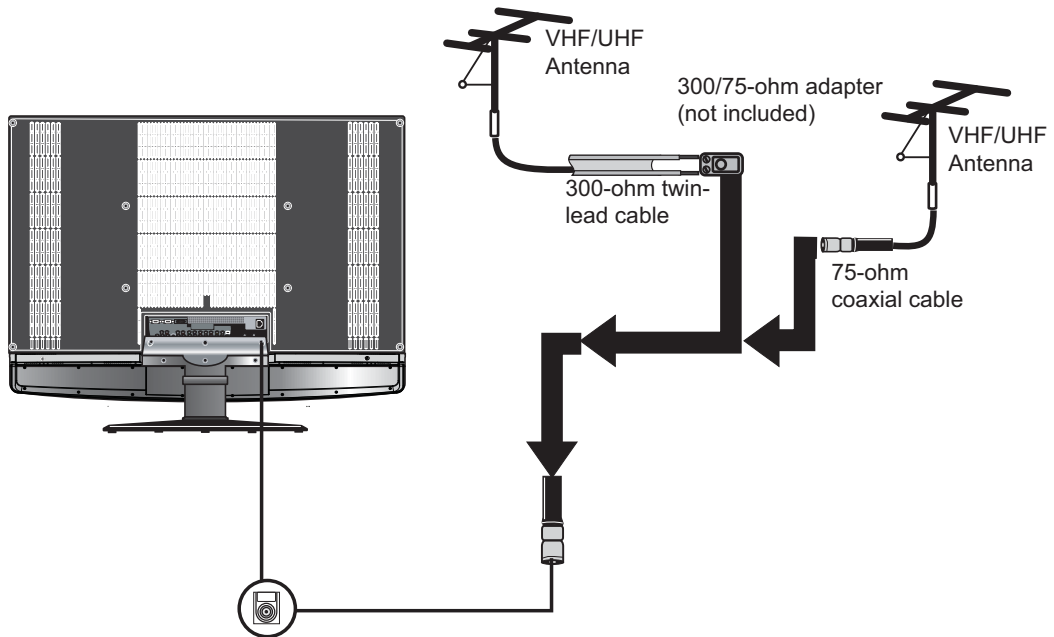
300-ohm twin-lead cable (flat)

Use one of the following two diagrams when connecting an outdoor antenna.

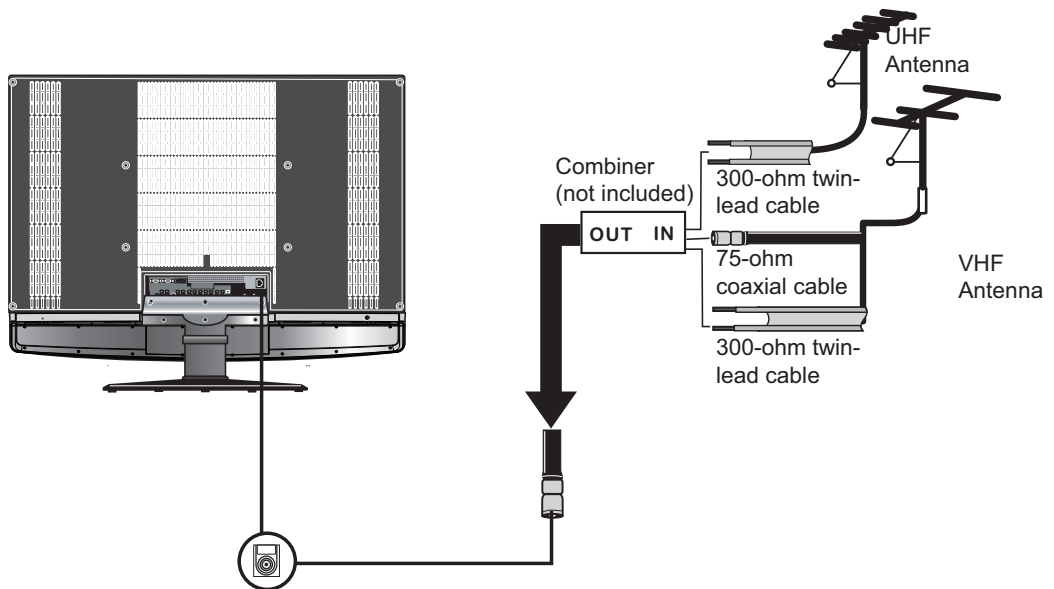
A: Shows how to use a VHF/UHF combination outdoor antenna.

B: Shows how to use a separate VHF and/or UHF outdoor antenna.

A. Combination VHF/UHF antenna



B. Separate VHF and/or UHF antennas

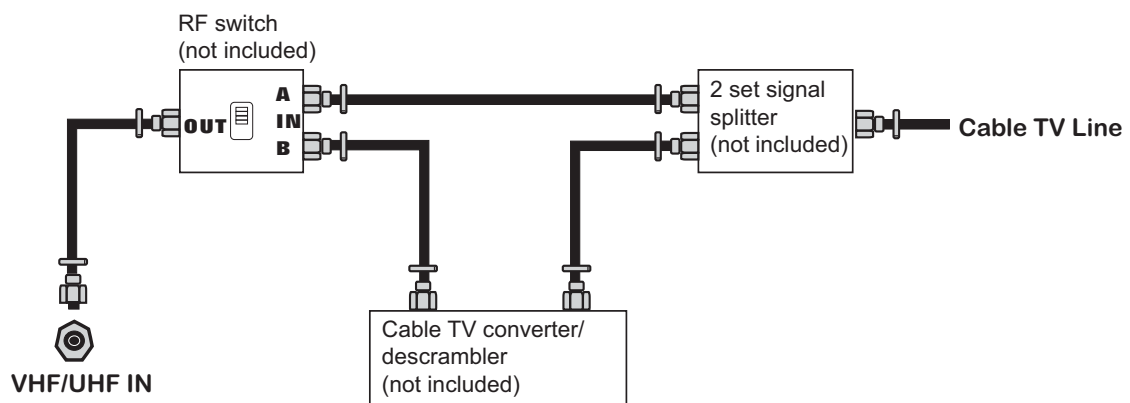


Cable TV (CATV) Connection

- A 75-ohm coaxial cable connector is built into the set for easy hookup. When connecting the 75-ohm coaxial cable to the set, connect the 75-ohm cable into the ANT. terminal.
- Some cable TV companies offer premium pay channels. Since the signals of these premium pay channels are scrambled, a cable TV converter/descrambler is generally provided to the subscriber by the cable TV company.

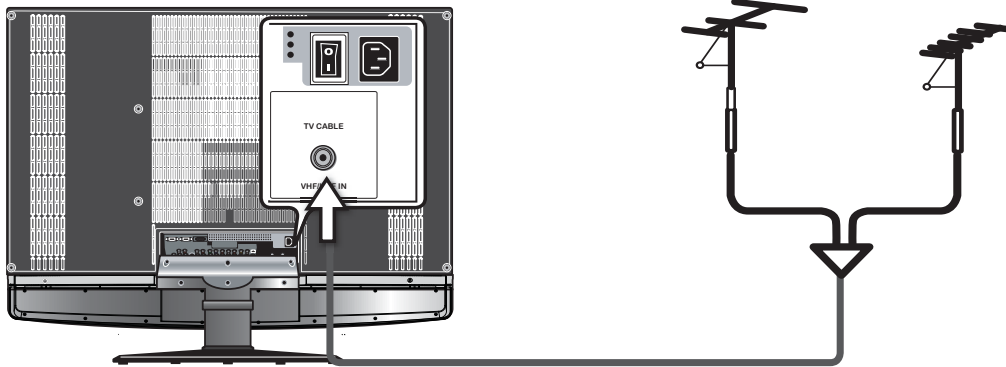
This converter/descrambler is necessary for normal viewing of scrambled channels. (Set your TV to channel 3 or 4, typically one of these channels is used. If this is unknown, consult your cable TV company.)

For more specific instructions on installing cable TV, consult your cable TV company. One possible method of connecting the converter/descrambler provided by your cable TV company is shown in the diagram below.

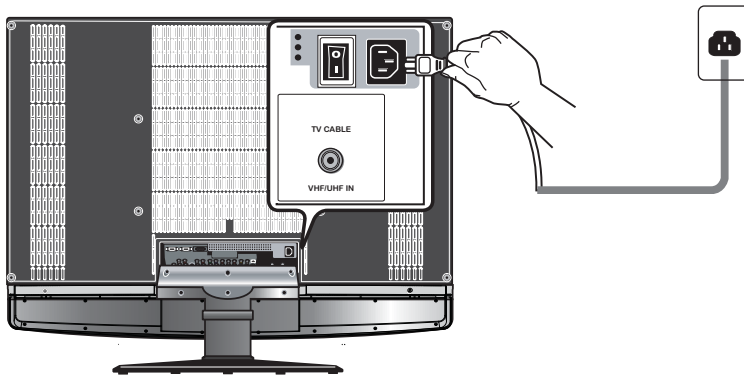


- ⚠ ■ The RF switch (not included) is required to provide two inputs (A and B). Setting the RF switch to position A allows viewing of all unscrambled channels by using the TV channel keys.
- Setting the RF switch to position B allows viewing of all scrambled channels via the converter/descrambler by using the converter channel keys.

- 1 Use a supplied antenna cable to connect the TV signal to the LCD TV's TV CABLE terminal.



- 2 Connect the AC power cord at the back of the TV and connect the power cord to wall outlet.



This TV is equipped with a safety fuse. In the event of an electrical storm or power outage the safety fuse is designed to protect your TV. If your TV has no power, check the fuse by prying the cover off, following the illustration below. If the fuse is blown, visit your local hardware store and ask for a 4A 250V - 5x20mm Time Lag Fuse (Slow Blow) to replace the fuse.

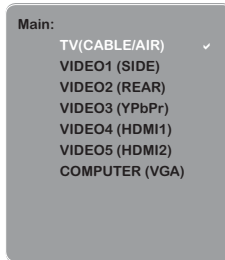


! BE SURE TO UNPLUG AC POWER CORD BEFORE REMOVING THE FUSE.

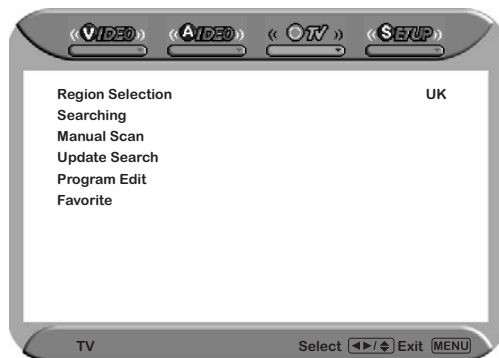
- 3 Press the **POWER** button on the remote to turn on the LCD TV.

! Always disconnect the LCD TV from the power outlet when the LCD TV will not be used for a long period of time. The **POWER** button on the front panel is only used for switching the LCD TV into standby, it does not disconnect the device from the main voltage. To completely disconnect the main voltage, please remove the power plug from the socket.

- 4 Press the **SOURCE** button on the remote to display the Source List. Use the ▲▼ buttons to select **TV**, and press the **OK** button.



- 5 Press the **MENU** button on the remote control to display the Main menu, and use the ◀▶ buttons to select the **TV**.



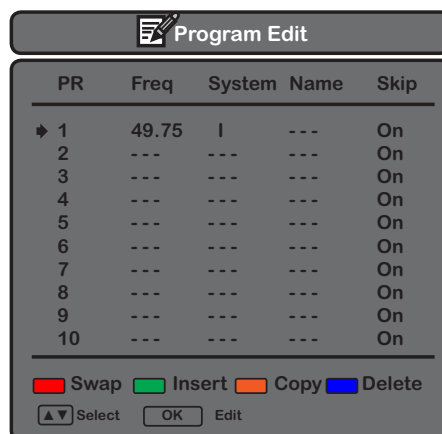
- 6 Press the ▼ button to select **Region Selection** and select your country by the ◀▶ buttons.

- 7 Press the ▼ button to select **Channel Searching**, and press the **OK** button. The **Channel Searching** automatically creates a list of receivable channels. Press the **MENU** button at any time to interrupt the memorization process.(the list cannot be created if interrupted)

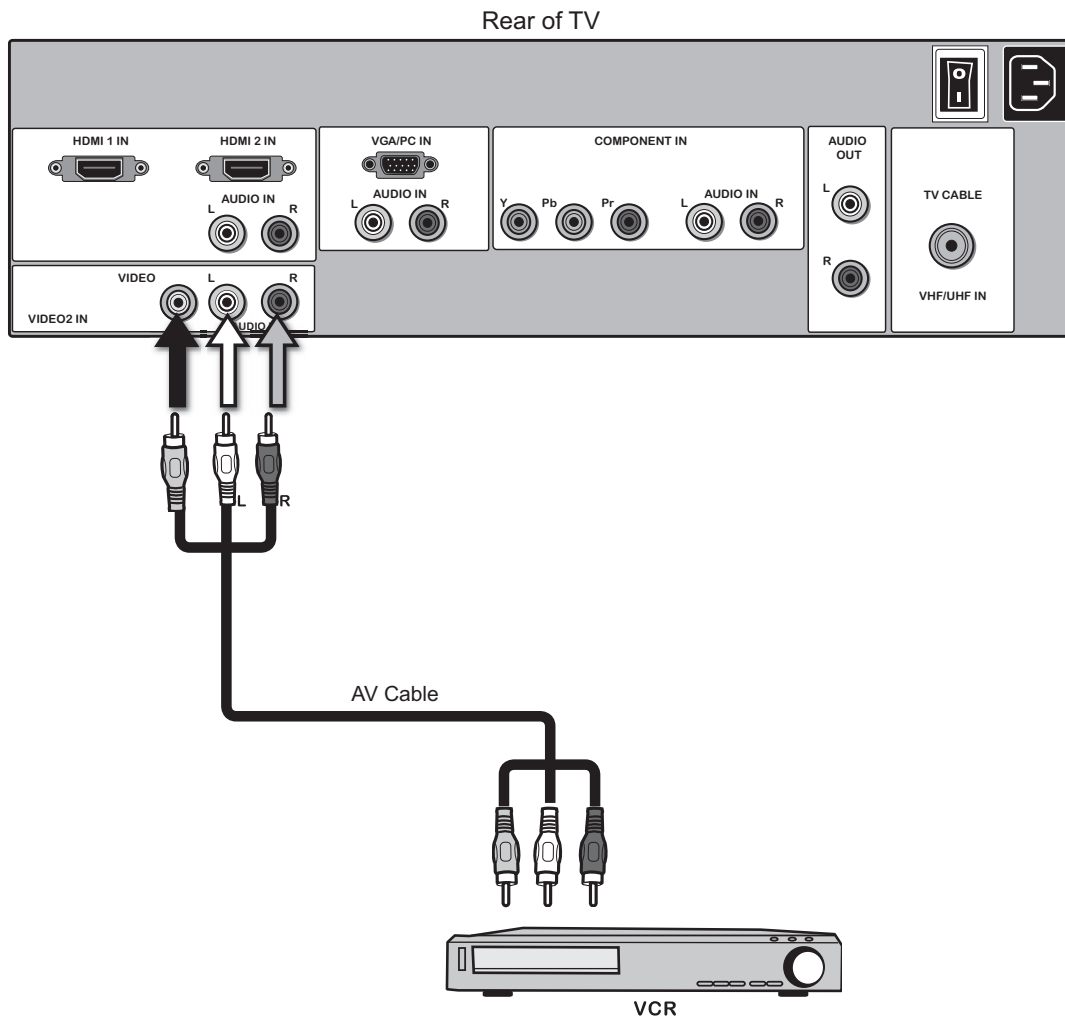
Searching




- 8 When the Channel Searching finished, the Program Edit menu will appear(see page 41) :

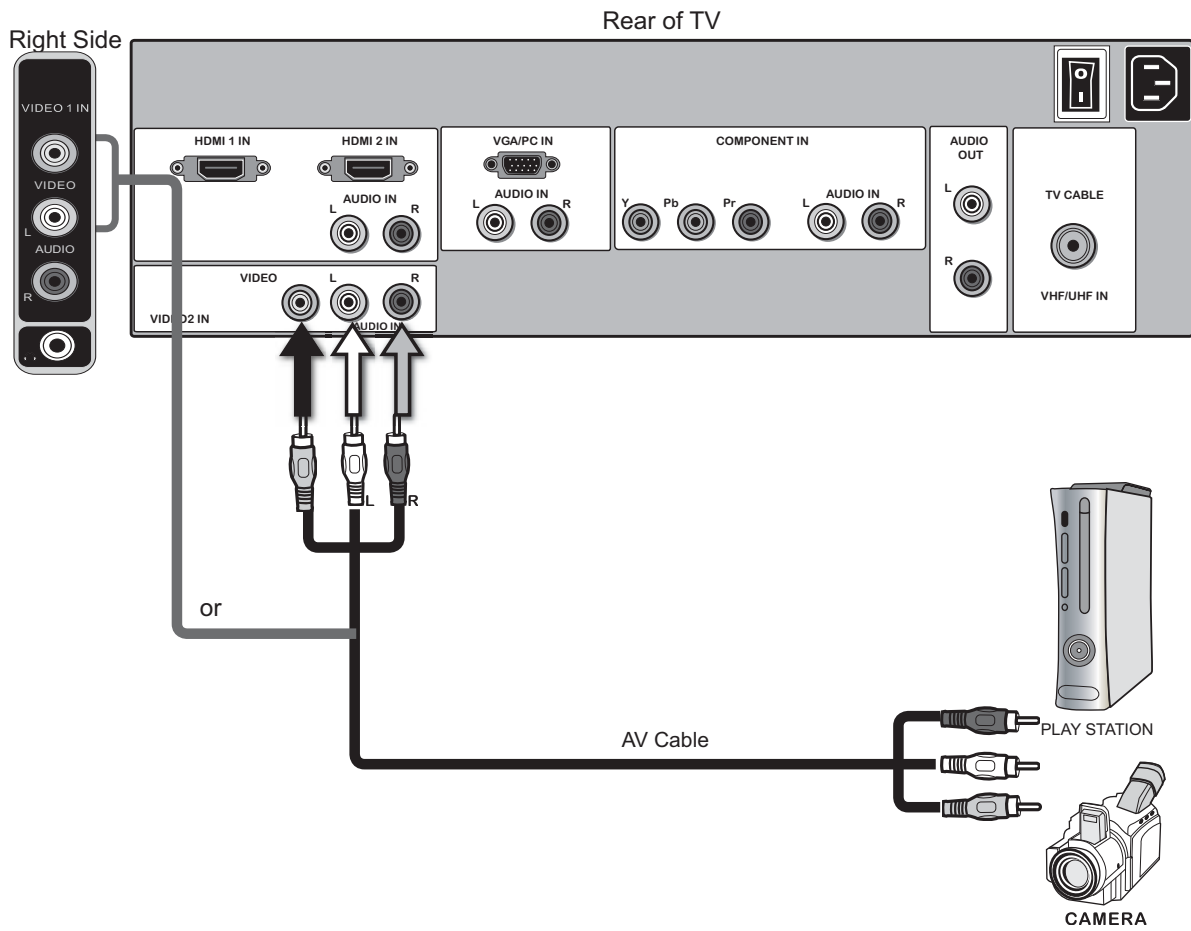



Connecting a VCR



- 1 Use a composite cable to connect the VCR's composite video/audio jacks to the LCD TV's VIDEO2 IN jacks.
- 2 Connect all AC power sources, before turning on the power switch of the LCD TV or other connected equipment.
- 3 Press the  button on the remote to turn on the LCD TV.
- 4 To watch a videotape, press the **SOURCE** button on the remote to select **VIDEO2**(METHOD A).

Connecting a Video Camera or Game Console

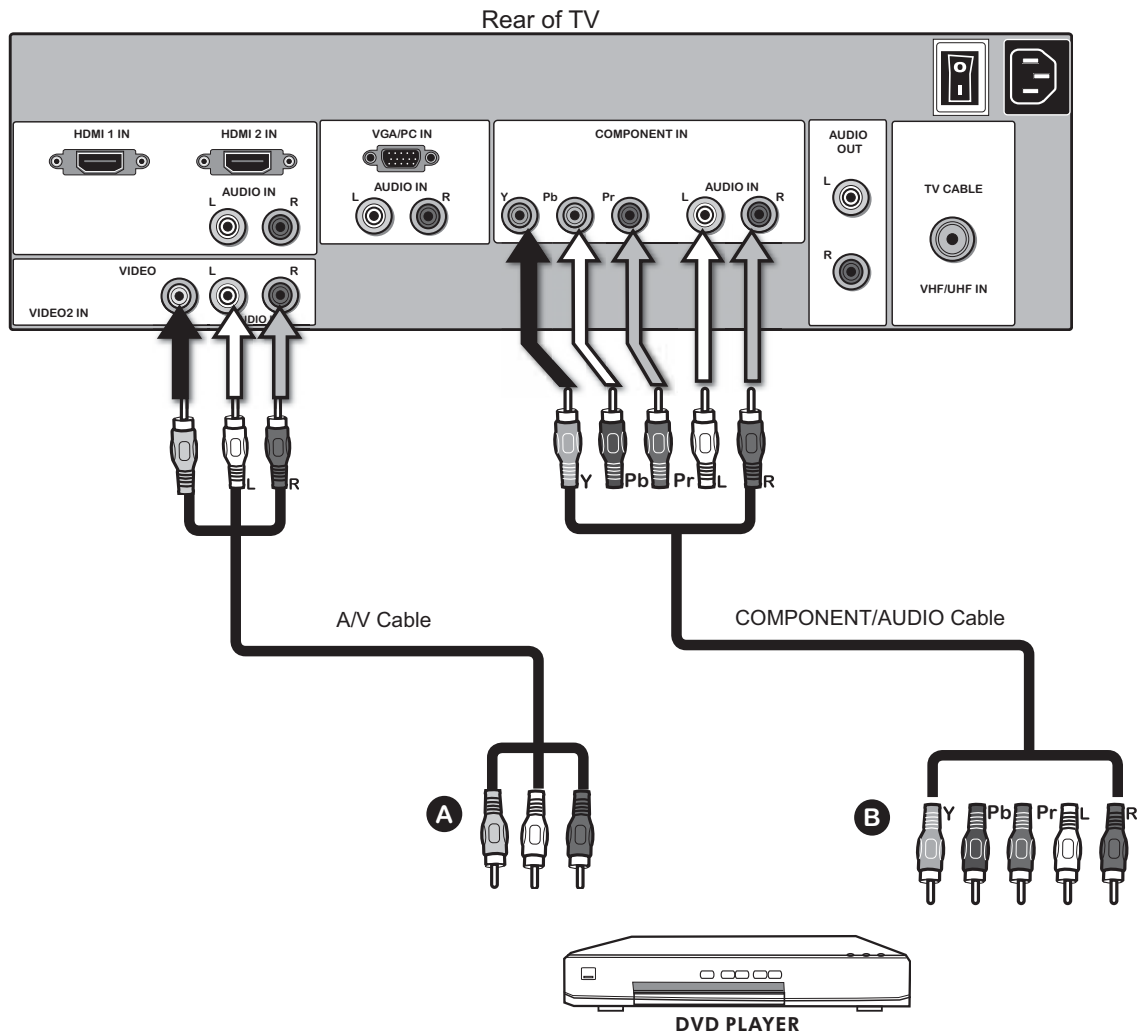


- 1 Use a composite cable to connect the video camera's or Game Console's composite video/audio jacks to the LCD TV's VIDEO2 IN jacks or VIDEO1 IN jacks.
- 2 Connect all AC power sources, before turning on the power switch of the LCD TV or other connected equipment.
- 3 Press the  button on the remote to turn on the LCD TV.
- 4 To watch a video via camera or Game Console, press the **SOURCE** button on the remote to select **VIDEO1/VIDEO2**.



Not all cameras have the ability to connect to a TV. Please check your video camera user guide for compatibility.

Connecting a DVD Player



1

METHOD A:

Use a composite cable to connect the DVD player's composite video/audio jacks to the LCD TV's VIDEO2 IN jacks.


METHOD B:

Use a component cable to connect the DVD player's component output jacks to the LCD TV's YPbPr IN input jacks.

Use an audio cable to connect the DVD player's component audio jacks to the LCD TV's audio input jacks.



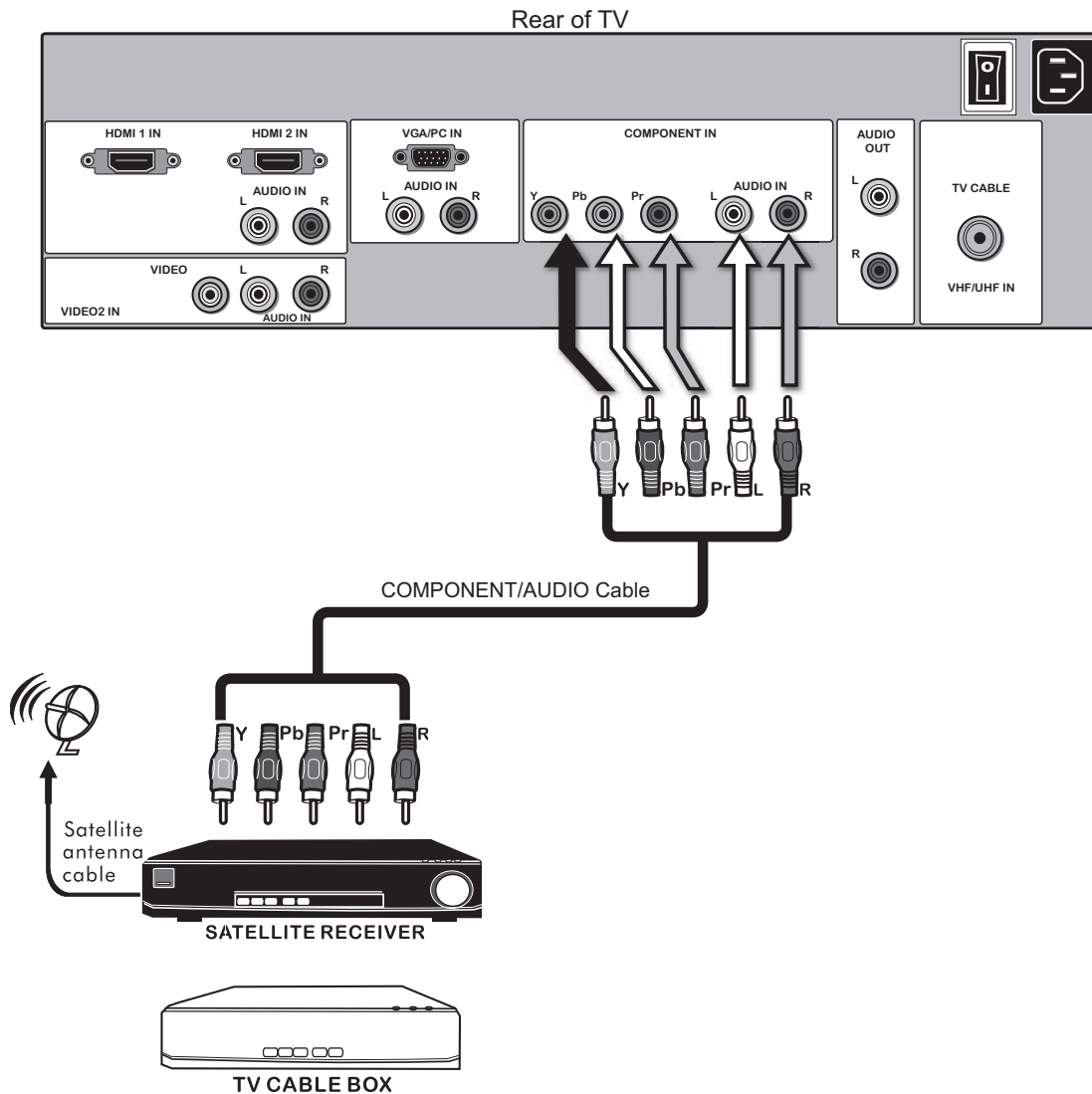
The component video jacks on your DVD player are sometimes labeled YPbPr, or YCbCr. For an explanation of component video, see your DVD player's user guide.


- 2 Connect all AC power sources, before turning on the power switch of the LCD TV or other connected equipment.
- 3 Press the  button on the remote to turn on the LCD TV.
- 4 To watch a DVD, press the **SOURCE** button on the remote to select **VIDEO2**(METHOD A), or **VIDEO3** (METHOD B).



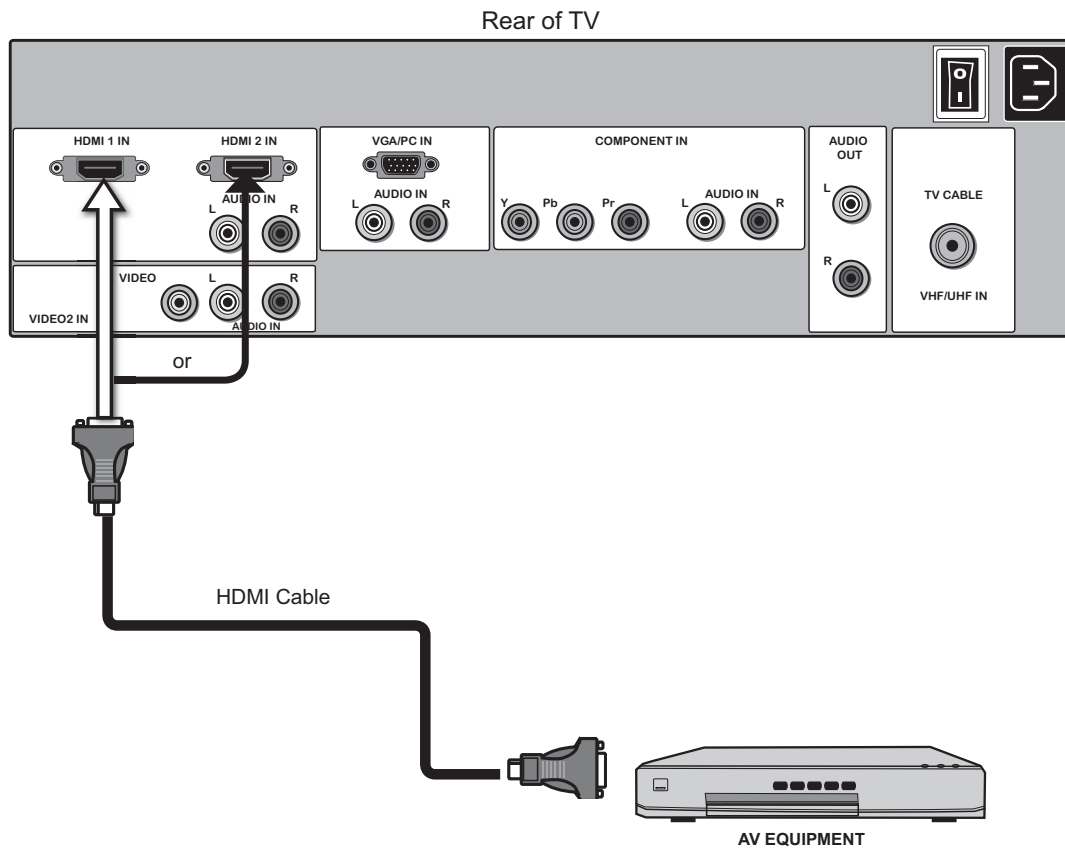
For best picture quality, if your equipment has component video output, use a component cable instead of a composite video.


Connecting a Digital TV Cable Box or Digital Satellite Receiver



- 1** Use a component cable to connect the satellite receiver's/TV Cable Box's component (YPbPr) output jacks to the LCD TV's component input jacks. Use an audio cable to connect the satellite receiver's/TV Cable Box's component audio jacks to the LCD TV's audio input jacks.
- 2** Connect all AC power sources, before turning on the power switch of the LCD TV or other connected equipment.
- 3** Press the  button on the remote to turn on the LCD TV.
- 4** To watch programs via satellite receiver or TV Cable Box, press the **SOURCE** button on the remote to select **VIDEO3**.

Connecting an AV Equipment with HDMI Connector

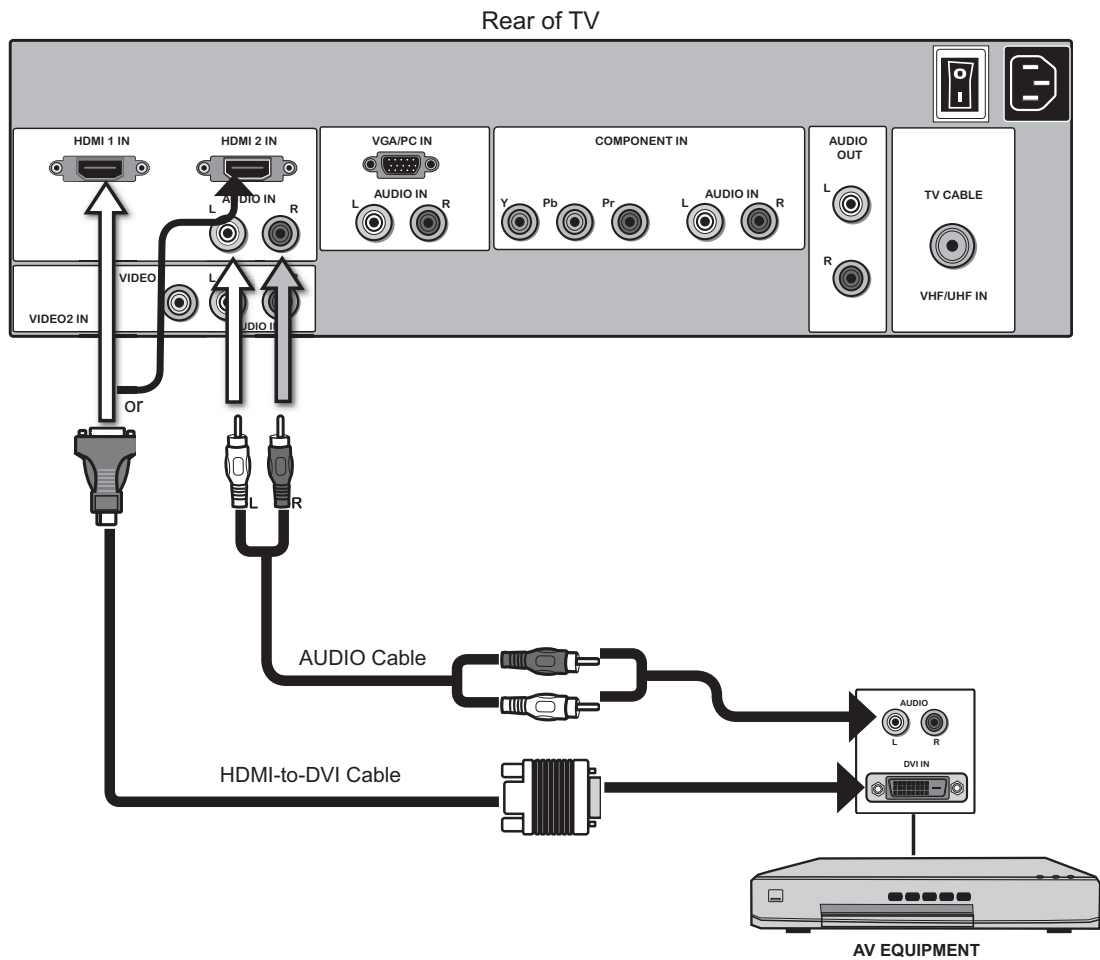



- 1 Use a HDMI cable to connect the AV equipment's HDMI output jack to the LCD TV's HDMI1/ HDMI2 IN jacks.
- 2 Connect all AC power sources, before turning on the power switch of the LCD TV or other connected equipment.
- 3 Press the POWER  button on the remote to turn on the LCD TV.
- 4 Press the **SOURCE** button on the remote to select **VIDEO4** or **VIDEO5**.




The HDMI connector provides both video and audio signals. It is not necessary to connect the audio cable.

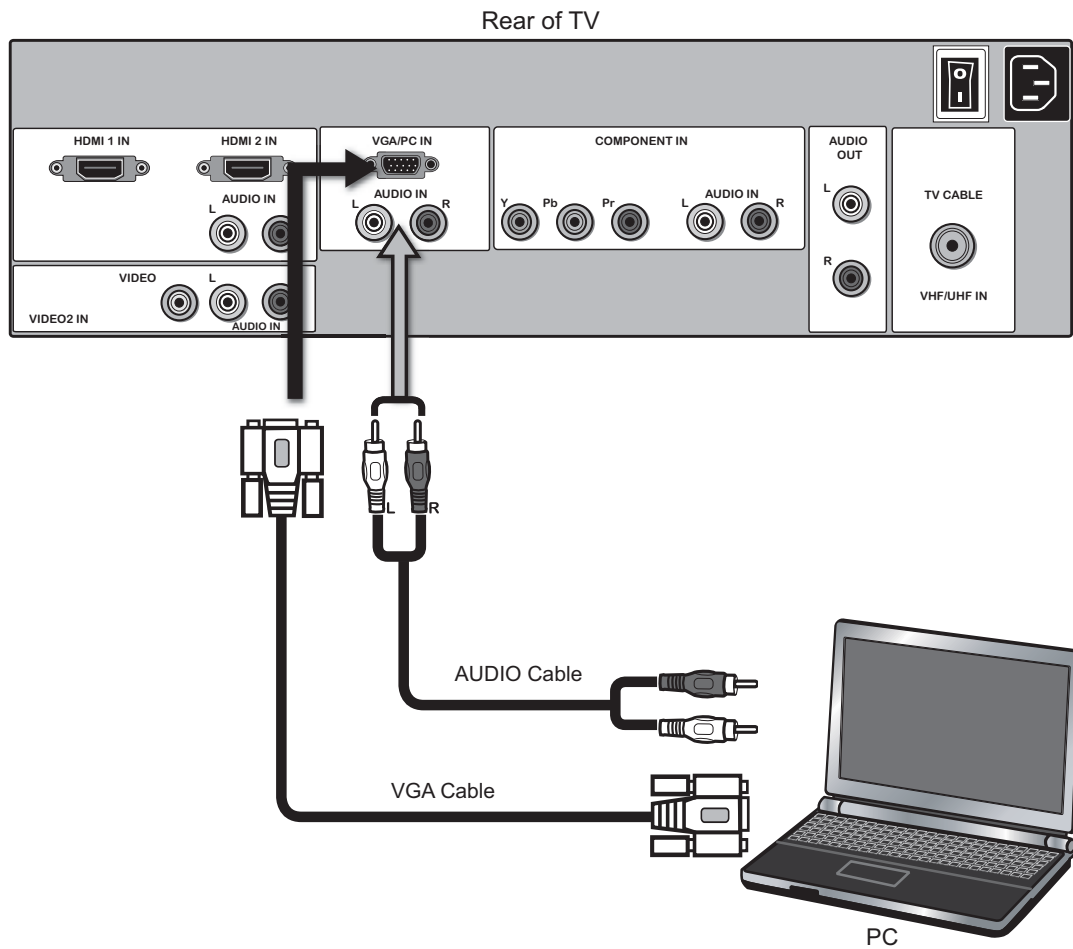
Connecting an AV Equipment with DVI Connector




- 1** Use a HDMI-to-DVI cable to connect the AV equipment's DVI output jack to the LCD TV's HDMI1/HDMI2 IN jacks.
Use an audio cable to connect the AV equipment's audio output jacks to LCD TV's HDMI AUDIO jacks.
- 2** Connect all AC power sources, before turning on the power switch of the LCD TV or other connected equipment.
- 3** Press the  button on the remote to turn on the LCD TV.
- 4** Press the **SOURCE** button on the remote to select **VIDEO4** or **VIDEO5** .

 If the LCD TV is connected to AV equipment's DVI connector, you will need an HDMI-to-DVI cable or a HDMI adapter(not included).

Connecting a PC



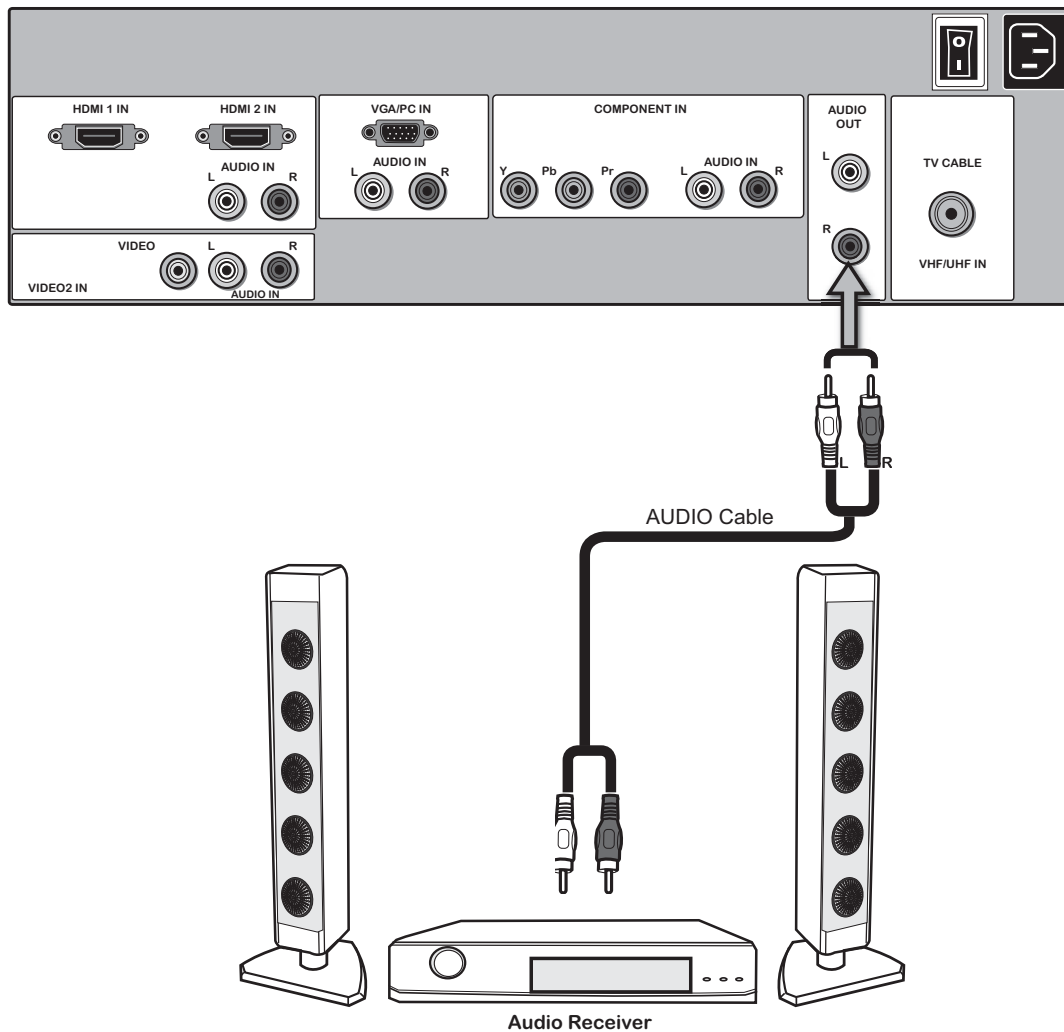
- 1 Use a VGA cable to connect the PC's VGA output jack to the LCD TV's VGA input jack. Use an audio cable to connect the PC's audio output jacks to LCD TV's.
- 2 Connect all AC power sources, before turning on the power switch of the LCD TV or other connected equipment.
- 3 Press the  button on the remote to turn on the LCD TV.
- 4 Press the **SOURCE** button on the remote to select **COMPUTER**.




Press the **OK** button to automatically adjust the display settings to optimize performance based on the VGA mode.

Connecting an Audio Receiver

For better sound quality, you may want to play the LCD TV audio through your stereo system.



- 1** **Connecting to Audio Receiver:**
Use an audio cable to connect the audio receiver's audio LINE IN jacks to LCD TV's AUDIO OUT jacks.
- 2** Connect all AC power sources, before turning on the power switch of the LCD TV or other connected equipment.
- 3** Press the  button on the remote to turn on the LCD TV.

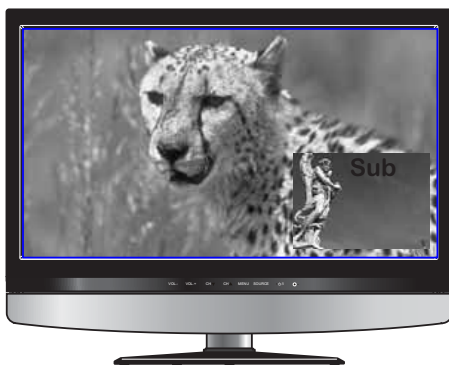
Chapter 3

USING THE FEATURES

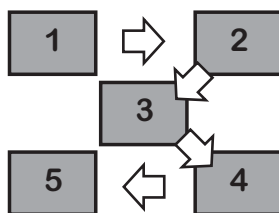
Using Picture-In-Picture

The PIP/POP feature allows simultaneous viewing of video from two sources (TV, VCR, DVD etc). Only one source's audio is played at a time; the user may select which source's audio is heard.

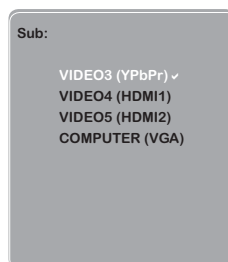
- 1 Press the **PIP** button once to enter Picture-in-Picture mode.



- Press ◀ ▶ to toggle the audio source between the main window and the sub window.
- Press the **SWAP** button to swap the pictures between the main and sub windows.
- Press the **OK** button to change the position of the second window.

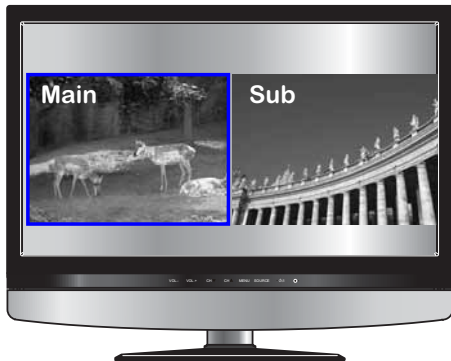


- Press ◀ ▶ to activate either the main or sub windows, then press the **SOURCE** button to display the Input List:



Press ▲ ▼ to change input source and press the **OK** button.

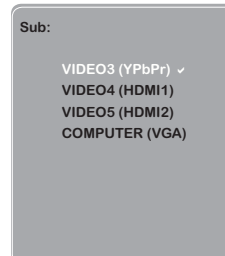
- 2** Press the **PIP** button again to view images side by side.



- Press ◀ ▶ to toggle the audio source between the main window and the sub window.
- Press the **SWAP** button to swap the pictures between the main and sub windows.



- Press ◀ ▶ to activate either the main or sub window, then press the **SOURCE** button to display the Input List:
Press ▲ ▼ to change input source and press the **OK** button.



- 3** Press the **PIP** button again to exit.

- 4** If the input source of the main window is TV/C-VIDEO/HDMI, the input source of the second window will by default be YPbPr/VGA. Press the **SWAP** button to switch the input sources between the main window and the second window.

✓:PIP/POP available, ✗:PIP/POP not available

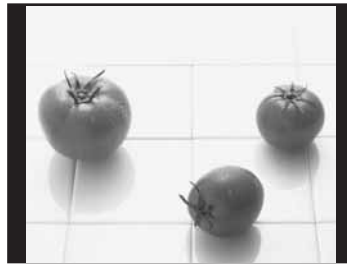
Sub \ Main	TV	VIDEO	YPbPr	HDMI	VGA
TV	✗	✗	✓	✓	✓
VIDEO	✗	✗	✓	✓	✓
YPbPr	✓	✓	✗	✓	✗
HDMI	✓	✓	✓	✗	✓
VGA	✓	✓	✗	✓	✗

Widescreen Viewing

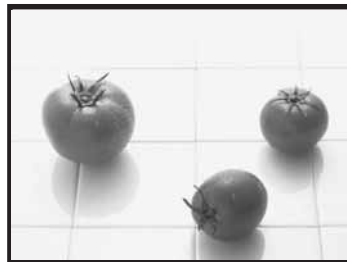
Widescreen function allows viewing of 4:3/16:9 images in wide screen mode, cycling through the following wide screen settings. Press the **P.SIZE** button repeatedly to select the screen format you want.

1**NORMAL**

Displays at 4:3 aspect ratio.

**2****FULL**

Stretches the image vertically and horizontally to keep the image size consistent in the center of the screen and stretches the sides.

**3****WIDE**

Stretches the image vertically and horizontally to fill the screen at 1:1.85 aspect ratio.

**4****ZOOM**

Stretches the image vertically and horizontally to fill the screen at 1:2.35 aspect ratio.






Using TELETEXT Functions

The TELETEXT feature displays all sorts of information provided by the information system company on your screen, such as news, sports, travel offers, weather, film & theater reviews, net issues etc.



- 1 Press switch on or off teletext display.
- 2 Press the CH▲▼ buttons to scroll between pages, or use the 0-9 buttons to enter the number of the page required. Example: page 120, enter 1 2 0. The page number is displayed at the top left corner of the screen.
- 3 In TELETEXT mode, There are four colour coded subject headings at the bottom of the screen. To access more information about one of these subjects, press the appropriate colored button.
- 4 Press button once for the text to occupy the top half of the screen, press again for it to occupy the bottom half, and press again to return to full page.
- 5 Press button once to reveal hidden words (concealed information) and press again to hide.
- 6 Press button to hold the TELETEXT page when viewing multiple pages of information, press again to return to automatic page update.
- 7 Press button to return to the main index page.

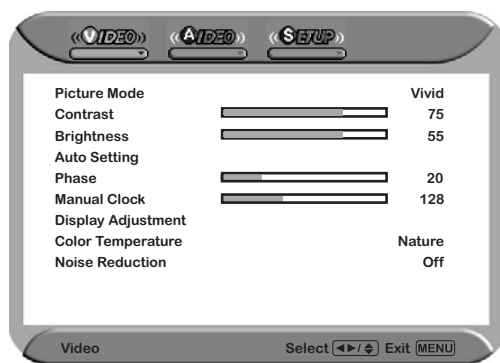
Operating the Menu

- 1 Press the  button to turn the LCD TV on.
- 2 Press the **MENU** button on the remote control, the on-screen menu will appear on the screen. Use the   buttons to select your main menu option.

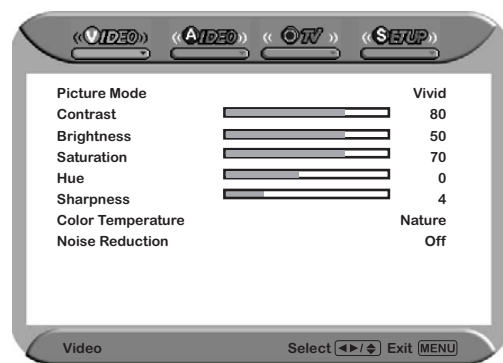
VIDEO MENU:

Allows you to make adjustments to your picture settings.

- If the signal source is VGA, the VIDEO MENU appears as:



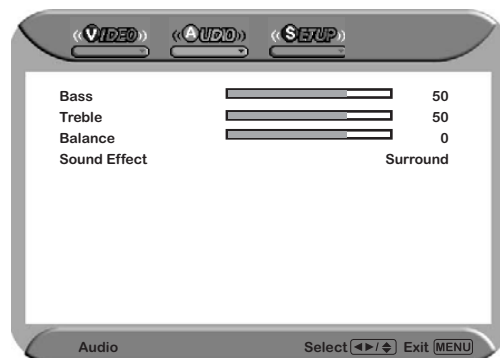
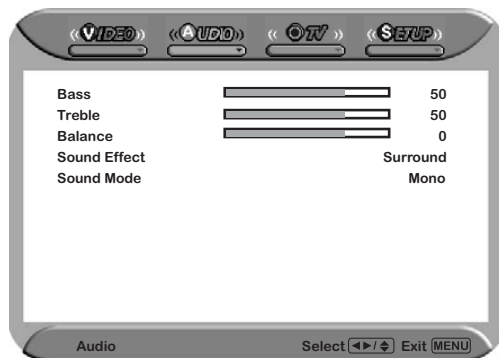
- If the signal source is TV/VIDEO/YPbPr/HDMI, the VIDEO MENU appears as:



AUDIO MENU:

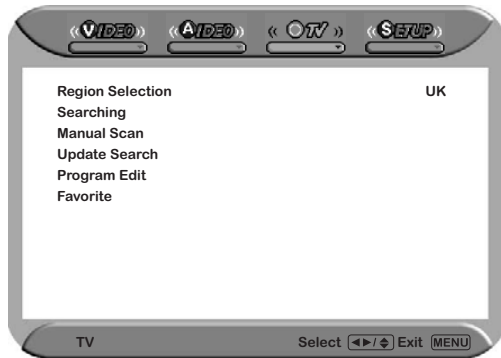
Allows you to customize the audio options and effects.

- If the signal source is TV, the AUDIO MENU appears as:



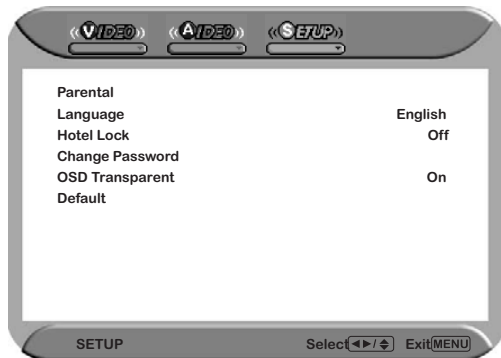
TV MENU:

Allows you to edit and label channels.






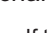
SETUP MENU:

Allows you to set up a variety of features: Parental , Language, Hotel Lock, Change Password, etc.

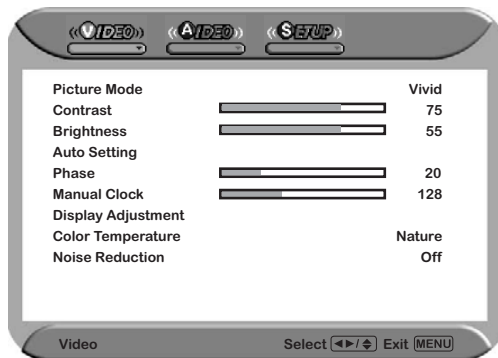


- 3 Use the ▲▼ buttons to select an option of the sub-menu, and press the **OK** button. While in adjustment mode, and use the ◀▶ buttons to change the value of the item.
- 4 Press the **EXIT** button to exit the menu.

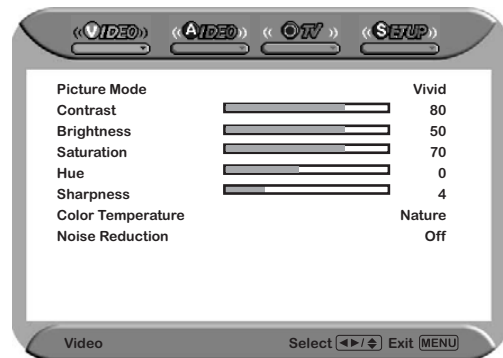
Customizing the VIDEO Settings

- 1 Press the  button to turn the LCD TV on.
- 2 Press the **MENU** button on the remote control to display the Main menu, and use the  buttons to select the **VIDEO**.
- 3 Use the  buttons to highlight an individual VIDEO option, use the  buttons to change the setting, and press the **MENU** to exit the menu

▪ If the signal source is VGA, the VIDEO MENU appears as:



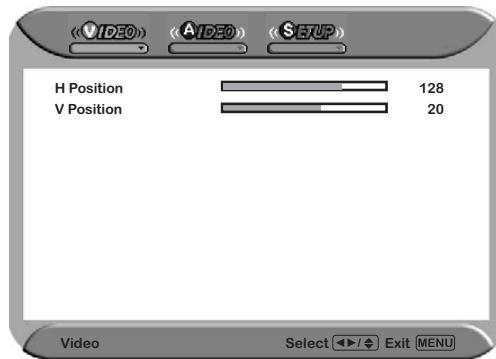
▪ If the signal source is TV/VIDEO/YPbPr/HDMI, the VIDEO MENU appears as:



- 4 The **VIDEO** menu includes the following options:

Picture Mode	Cycles among display types: Vivid/High-Bright/Cinema/Sport/User
Contrast	Controls the difference between the brightest and darkest regions of the picture.
Brightness	Controls the overall brightness of the picture.
Auto Setting	Press the OK button to automatically adjust the display settings to optimize performance based on the VGA mode.
Phase	Controls the signal phase, which can improve focus clarity and image stability based on the VGA mode.
Saturation	Controls the color intensity.
Hue	Controls the difference between the green and red regions of the picture.
Sharpness	Increase this setting to see crisp edges in the picture; decrease it for soft edges.
Manual Clock	Controls the width of the picture based on the VGA mode.

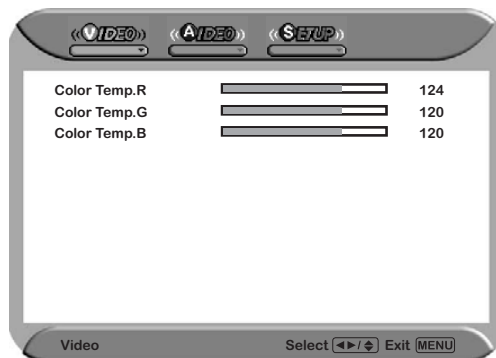
Display adjustment Press the OK button to enter the Display adjustment setting:



- **H Position** Adjusts the position of the picture left and right in the window.
- **V Position** Adjusts the position of the picture up and down in the window.


Color temperature Adjusts color components independently to achieve a warm or cool effect: Cool/Middle/Warm/User
Press the **OK** button to enter the color temperature setting:

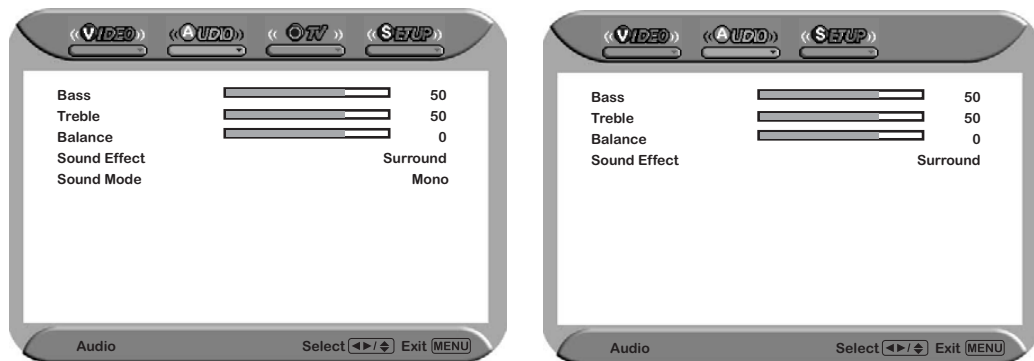
- **Warm:** Increases red tint
- **Nature:** Increases natural tint
- **Cool:** Increases blue tint
- **User:** Allows the user to adjust red, green and blue color component levels independently.



Noise Reduction Select to reduce the noise level of connected equipment: Off/ Low/ Strong /Middle.

Customizing the AUDIO Settings


- 1 Press the  button to turn the LCD TV on.
- 2 Press the **MENU** button on the remote control to display the Main menu, and use the ◀▶ buttons to select the **AUDIO**.
- 3 Use the ▲▼ buttons to highlight an individual AUDIO option, use the ◀▶ buttons to change the setting, and press the **MENU** to exit the menu

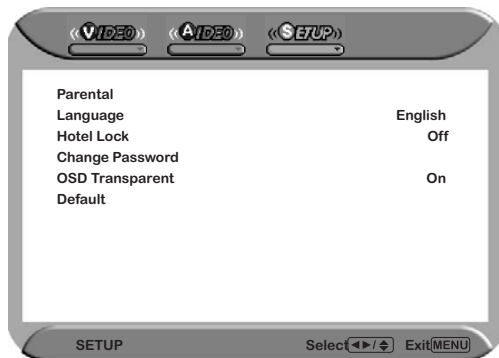


- 4 The **AUDIO** menu includes the following options:

Bass	Controls the relative intensity of lower-pitched sounds.
<hr/>	
Treble	Controls the relative intensity of higher pitched sounds.
<hr/>	
Balance	Adjusts the relative volume of the speakers in a multiple speaker system.
<hr/>	
Sound Effect	Allows selection of an audio-enhancement technique from among the following options: Surround/Live/Dance/Techno/Classic/Soft/Rock/Pop/Off.
<hr/>	

Customizing the SETUP Settings

- 1 Press the  button to turn the LCD TV on.
- 2 Press the **MENU** button on the remote control to display the Main menu, and use the ◀▶ buttons to select the **SETUP**.
- 3 Use the ▲▼ buttons to highlight an individual SETUP option, use the ◀▶ buttons to change the setting, and press the **MENU** to exit the menu.



- 4 The **SETUP** menu includes the following options:

Parental	Allows to setup the Parental Lock options.
Language	Selects to display all on-screen menus in your language of choice : English/ Chinese/Spanish/French/Germany.
Hotel Lock	Allows to select the Hotel Lock to be on or off. (Default password is 0000)
Change Password	Allows to change the 4-digit password.
OSD Transparent	Controls the translucence of the OSD on-screen menus's background.
Default	Restores factory settings.

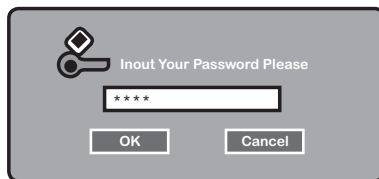
Using the Parental Settings

The Parental blocking can be set up on the TV to block a Channel or a Video Source.

- 1 Use the **▼** button to select the **Parental**, and press the **OK** to display the Parental menu.



- 2 Use the **Parental** function, must enter a four-digit password. The factory password is 0000.



! You need your password for any future access into the Parental Setting. In case forget your password , please input the crossing - password " 8202 " .

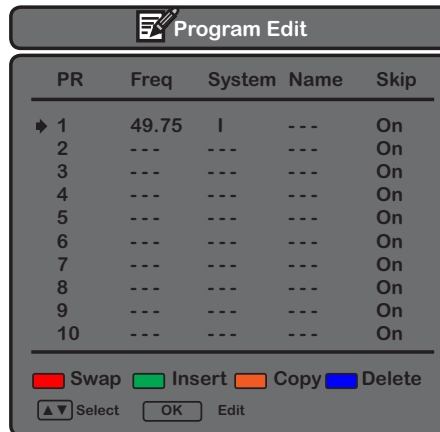
- 3 The **Parental** menu includes the following options:

Channel Lock	<p>Selects to block a TV channel.</p> <ol style="list-style-type: none"> 1 Use the ◀▶ buttons to select the channel you want to lock. 2 Press the OK button to confirm.
Video Lock	<p>Selects to block a Input source signal.</p> <ol style="list-style-type: none"> 1 Use the ◀▶ buttons to select the input video you want to lock. 2 Press the OK button to confirm.
Change Password	<p>Selects to change your password.</p> <ol style="list-style-type: none"> 1 Press the OK button to display the password confirm menu. 2 Use 0-9 keys on the remote control to enter a new four-digit password, and then confirm the new password by entering it again.

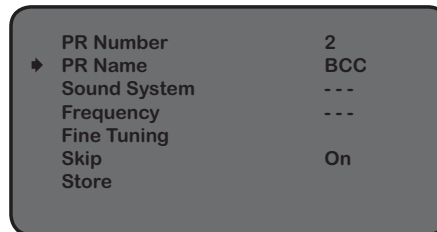
Program Edit

Allows Swap/Insertion/addition/removal of channels on the channel list.

- ① Press the **OK** button to display the Program Edit menu:



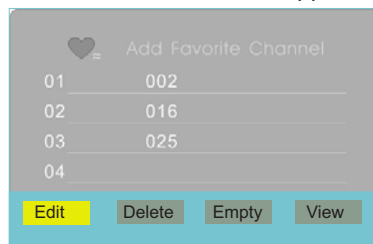
- ② Press the **▼** button to select the desired channel, and press the **ENT** button on the remote to display the PR menu:



- ③ Press the **▼ ▲** buttons to select the item, and press the **OK** button to edit.
- ④ Press the **◀ ▶** buttons to change the value of the selected item.
- ⑤ Use the **▼** button to select **PR Name**, and press the **OK** button to display the Channel Name Edit menu.
- Use the **▼ ▲ ◀ ▶** buttons to select the characters (maximum of 6 characters) and press **ENT** key to confirm.
- ⑥ Use the **▼** button to select **Store**, and press the **OK** button

Favorite

Select **Favorite** from the TV option and press the **OK** button. The Favorite Channel list appears:




- **Edit**
To add the current channel to the list of Favorite Channels. Press **0-9** buttons to enter the desired channels.
- **Delete**
To remove a channel from the list of Favorite Channels.
- **Empty**
To clear all Favorite Channels.
- **View**
To watch the selected channel of Favorite Channels.

TROUBLESHOOTING




Before consulting service personnel, check the following chart for a possible cause of problem and for a possible solution.

TV will not turn on

- 1 Make sure the power cord is plugged in, then press the  button on the remote.
- 2 The batteries in the remote control may be exhausted.
- 3 Replace the batteries.


No picture, no sound

- 1 Check the interface cable between TV and antenna/cable TV.
- 2 Press the  button on the remote.
- 3 Press the **SOURCE** button on the remote repeatedly to select the connected video sources.

Poor picture, sound OK

- 1 Check the interface cable between TV and antenna/cable TV.
- 2 Try another channel, the station may have broadcast difficulties.
- 3 Adjust the Brightness/Contrast options in the **VIDEO** Menu.

Picture OK, poor sound

- 1 Sound may be muted. Press the  button on the remote.
- 2 Press the **VOL+** button to increase the volume.

Audio noise

- 1 Move any infrared equipment away from the TV.

DISPLAY MODES

The screen resolution has been optimized during production for the display modes listed below. If the signal from the system equals the standard signal mode, the screen adjusts automatically. If the signal from the system does not equal the standard signal mode, adjust the screen resolution by referring to your video card user guide, otherwise there may be no video.

Video signal: (VGA Standard)

Resolution (Dot X Line)	Vertical Frequency(Hz)	Horizontal Frequency(kHz)
640 x 350	85	37.9
640 x 400	85	37.9
720 x 400	85	37.9
640 x 480	60	31.5
	72	37.9
	75	37.5
	85	43.3
800 x 600	56	35.1
	60	37.9
	72	48.1
	75	46.9
	85	53.7
1024 x 768	60	48.4
	70	56.5
	75	60.0
	85	68.7
1152 x 864	75	67.5
1280 x 960	60	60.0
1280 x 1024	60	64.0
1366 x 768	60	47.7

SPECIFICATIONS

MODEL		GLCD3201	GLCD3701
LCD Panel	Panel Size	32" TFT LCD	37" TFT LCD
	Brightness	500	500
	Contrast Ratio	1200:1	1000:1
Max. Resolution		1366x768	1366x768
Input Connector	VIDEO/AUDIO(L/R)	2	2
	YPbPr/AUDIO(L/R)	1	1
	VGA/AUDIO(L/R)	1	1
	HDMI/AUDIO(L/R)	2	2
	AUDIO OUT(L/R)	1	1
	HEADPHONE	1	1
TV System		PAL-B/G	PAL-B/G
Power Source		AC230V~, 50HZ,	AC230V~, 50HZ,
Power Consumption		200 W, standby < 3 W	264 W, standby < 3 W
Dimension		31.2 w x 11.3 d x 26.1 h inch	36.5 w x 12.3 d x 29.2 h inch
WEIGHT		19.6kg	26.5kg

MODEL		GLCD4001
LCD Panel	Panel Size	40" TFT LCD
	Brightness	500
	Contrast Ratio	1200:1
Max. Resolution		1366x768
Input Connector	VIDEO/AUDIO(L/R)	2
	YPbPr/AUDIO(L/R)	1
	VGA/AUDIO(L/R)	1
	HDMI/AUDIO(L/R)	2
	AUDIO OUT(L/R)	1
	HEADPHONE	1
TV System		PAL-B/G
Power Source		AC230V~, 50HZ,
Power Consumption		264 W, standby < 3 W
Dimension		38.8 w x 12.3 d x 29.9 h inch
WEIGHT		28.5kg

Specifications are subject to change without notice.

GUARANTEE

Please keep your receipt as proof of purchase. This product is warranted for any defect in materials or workmanship for three years after the original date of purchase. This product is for normal domestic and office use only. This warranty does not cover damage from misuse or neglect, accidental damage, vermin infestation, excessive voltages such as lightning or power surges or any alteration that affects the performance or reliability of the product.

If guarantee is required please contact the Grundig Helpline 1800 509 394 within Australia or the 0800 450 259 within New Zealand.

Have your receipt of purchase on hand.

This guarantee is subject to the following provision

- It is only valid within boundaries of the country of purchase;
- The product must be correctly assembled and operated in accordance with the instructions contained in this manual;
- This product must be used solely for domestic purposes;
- The guarantee does not cover accidental damage;
- The guarantee will be rendered invalid if the product is resold or has been damaged by inexpert repair;
- The manufacturer disclaims any liability for incidental or consequential damage.

This guarantee is in addition, and does not diminish, your statutory or legal rights.

PO BOX 6287

Silverwater NSW 1811

<http://www.grundig.net.au>

GRUNDIG HELPLINE: 1800 509 394 Australia

GRUNDIG HELPLINE: 0800 450 259 New Zealand

PO BOX 6287

Silverwater NSW 1811

<http://www.grundig.net.au>

GRUNDIG HELPLINE: 1800 509 394 Australia

GRUNDIG HELPLINE: 0800 450 259 New Zealand